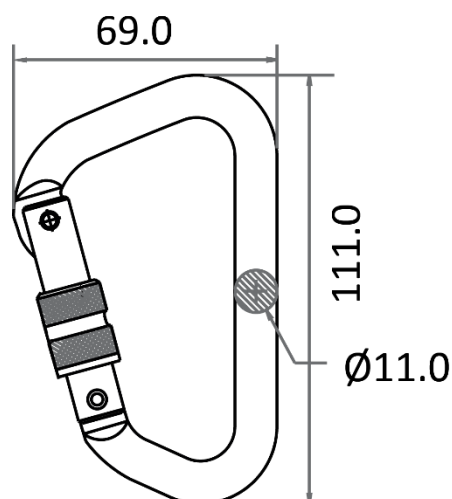




FA 50 103 22



| | |
|---------|---|
| REF. | FA 50 103 22 |
| CE | EN 362:2004 Class B EN 12275 Class B/H |
| | 23 kN / 22.5 mm |
| MAT. | |
| | SCREW |
| KEYLOCK | --- |
| + | UIAA, ATEX Directive 2014/34/EU |
| | 0.08 KG |



MAT.



Résistance à la rupture / Ouverture
Breaking strength / Gate opening
Resistencia a la ruptura / Apertura
Resistenza alla rottura / Apertura
Bruchfestigkeit / Öffnung

Matière
Material
Material
Material

Type d'ouverture
Opening system
Tipo de apertura
Sistema di apertura
Öffnungssystem

| |
|--|
| HS CODE |
| 76169990 |
| CARTON SIZE / PCS. |
| 58x38x23 cm / 200 |
| AET N°2777/10353-03/E01-01 |
| Satra Technology Europe Ltd., N° 2777, Bracetown Business Park, Clonee, Dublin, D15YN2P, Ireland |
| MODULE D FI14/14003.01 |
| SGS Fimko Oy, N°0598 Takomotie 8, 00380 HELSINKI, Finland |
| AET (UKCA) N°AB0321/16065-01/E01-01 |
| Satra Technology Centre, N°0321 Wyndham Way, Telford Way, Kettering Northamptonshire, NN16 8SD, United Kingdom |
| MODULE D 11 IN14/14003 |
| SGS United Kingdom Ltd., N°0120 Unit 202B, Worle Parkway, Weston-super-Mare, BS22 6WA, United Kingdom |